

Car



CUTTING LIST

Pine

176 x 90 x 35 mm — body

316 x 70 x 19 mm — wheels and mudguards

4 mm plywood

52 x 73 mm — running board

6 mm dowelling

Two 78 mm lengths — axles

MATERIALS

15 mm bullet head nails

25 mm bullet head nails

EQUIPMENT

50 mm hole saw

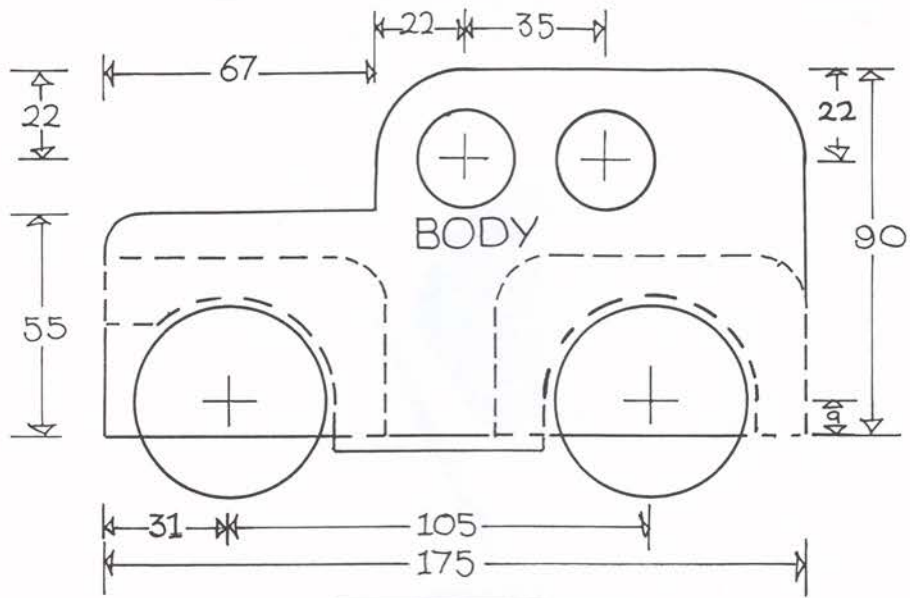
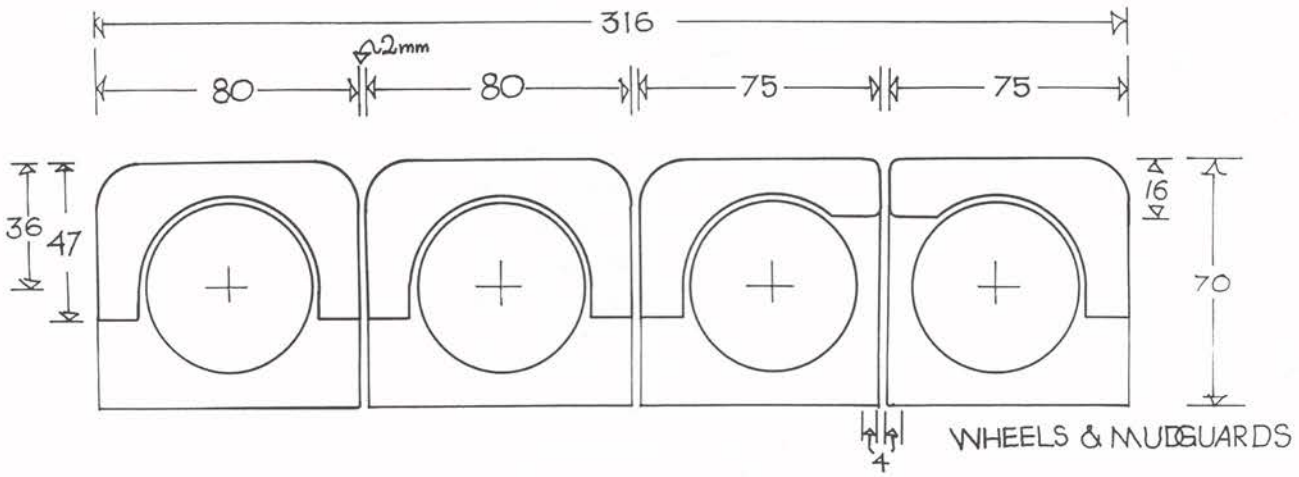
7 mm drill bit

25 mm spade bit

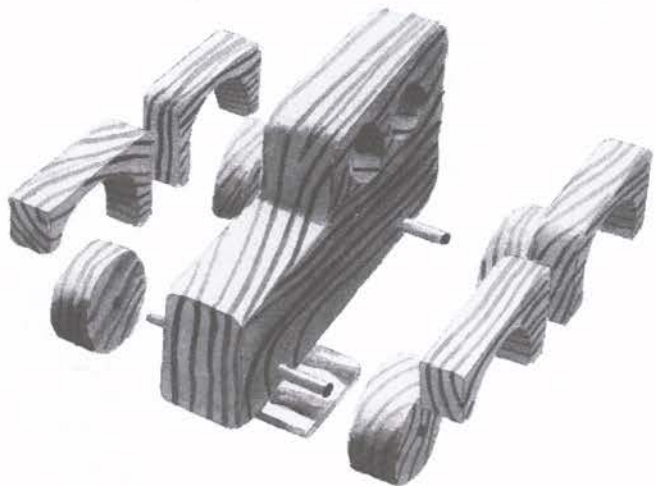
INSTRUCTIONS

1. Read through all the instructions. Check the template and assembly chart and photograph before beginning the project. Use a photocopier to enlarge the template to full size. Trace the template diagrams onto the pieces of wood listed in the cutting list.
2. Cut out the body.

MAKING WOODEN TOYS



3. Using a 25 mm spade bit, drill the two window holes.
4. Drill two 7 mm axle holes in the positions marked on the template.
5. Using a 50 mm hole saw, cut the four wheels out of the pine block (DO NOT cut the pine block into sections first). The wheels will have a 6 mm hole in the centre for attaching to the axles in step 10.
6. Using a jigsaw or tenon saw, cut the pine block into sections, as marked on the template. Trim the pieces to create the mudguards. Round off the edges using sandpaper.
7. Positioning the mudguards correctly is important to prevent the wheels rubbing on them. Do this by first putting one of the axles through one of the wheels. Temporarily position the axle in an axle hole. Pre-drill two fine pilot holes in the mudguard to prevent the wood from splitting when nailed. Line up the mudguard to fit around the wheel without touching it. Glue and nail the mudguard into position. Use 25 mm bullet head nails and punch the heads below the surface. Remove the wheel and axle. Repeat the procedure for the remaining wheels. Fill the holes with wood filler and sand off all sharp edges.
8. Cut out the running board. Glue and nail it to the base of the car using 15 mm bullet heads.
9. Paint the body and wheels separately using a non-toxic gloss paint.
10. When the paint is dry, pass the dowelling axles through the axle holes in the body. Then, glue the wheels to the axles.



Bus



CUTTING LIST

Pine

242 x 90 x 35 mm — body

316 x 70 x 19 mm — wheels and mudguards

4 mm plywood

55 x 73 mm — running board

6 mm dowelling

Two 78 mm lengths — axles

MATERIALS

25 mm bullet head nails

12 mm bullet head nails

EQUIPMENT

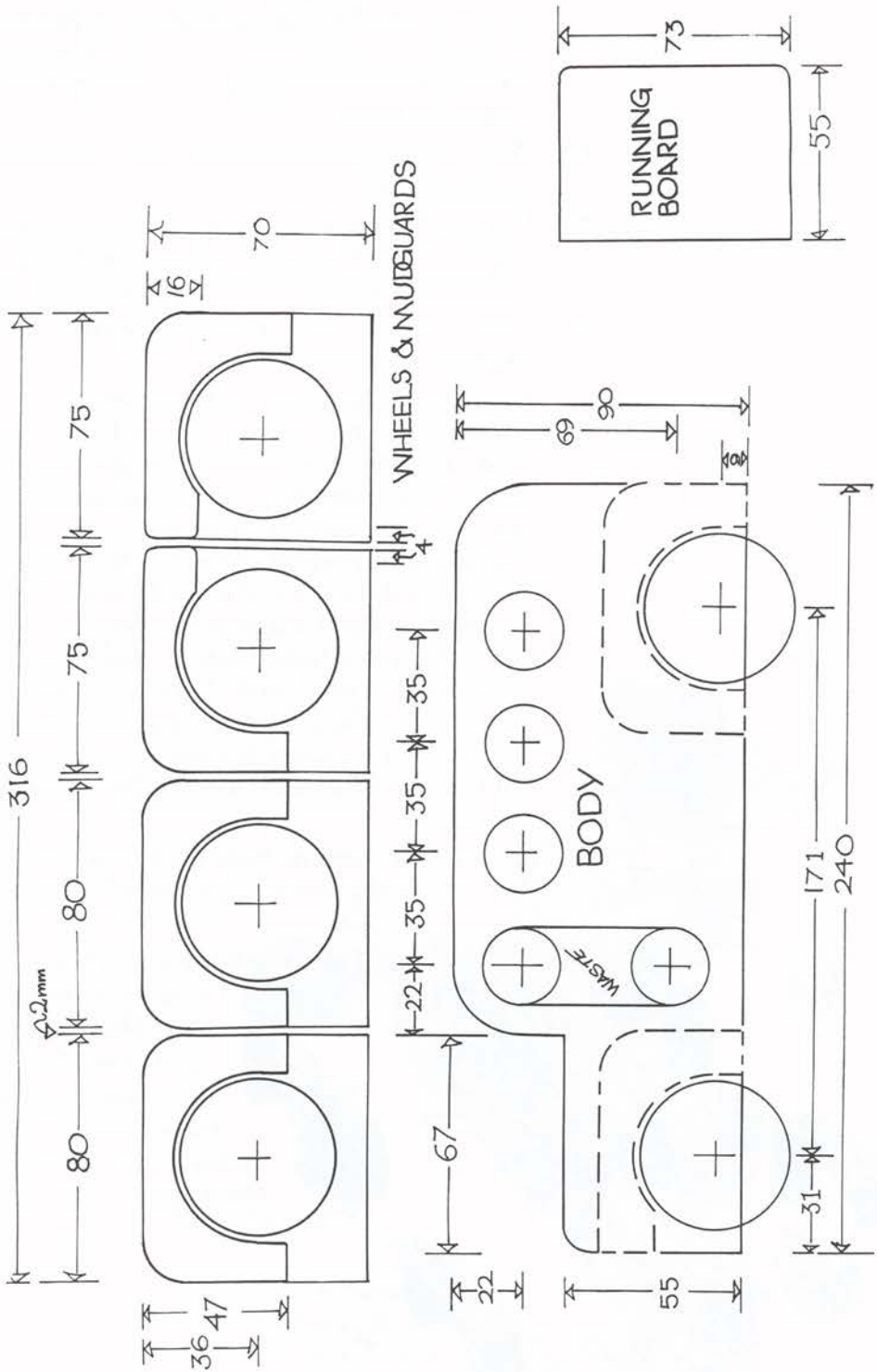
50 mm hole saw

7 mm drill bit

25 mm spade bit

INSTRUCTIONS

1. Read through all the instructions. Check the template, assembly chart and photograph before beginning the project. Use a photocopier to enlarge the template to full size. Trace the template diagrams onto the pieces of wood listed in the cutting list.
2. Cut out the body.



3. Using a 25 mm spade bit, drill five holes in the body for the door and windows, in positions marked on template. Using a key hole saw, cut out the waste between the two front holes to make the door.
4. Drill two 7 mm axle holes in the positions marked on the template.
5. Using a 50 mm hole saw to cut out the four wheels. The wheels will have a 6 mm hole in the centre for attaching the axles in step 10.
6. Using a jigsaw, cut out the mudguards, as shown on template.
7. Positioning the mudguards correctly is important to prevent the wheels from binding. First, put one of the axles through one of the wheels. Temporarily position the axle in an axle hole. Pre-drill two fine pilot holes in the mudguard to prevent the wood from splitting when nailed. Line up the mudguard to fit around the wheel without touching it. Glue and nail the mudguard into position using 25 mm bullet head nails. Punch the heads below the surface. Remove the wheel and axle. Repeat the procedure for the remaining wheels. Fill the nail holes with wood filler and sand smooth.
8. Cut out the running board. Glue and nail it to the base of the bus using 12 mm bullet head nails.



9. Paint the body and wheels separately using non-toxic gloss paint.
10. When the paint is dry, pass the axles through the 7 mm holes in the body. Glue the wheels to the axles.