

Nautical Cats



Quilt size 16 x 16 inches (40.5 x 40.5 cm)

Block size 3 inches (8 cm)

I had a lot of fun with this quilt. It is made from scraps and the border fabric features marvellous cats. This is an easy quilt to start with.

Requirements

Sewing machine and accessories

Rotary cutter, mat and rulers

Bias square ruler

Scissors, pins, quick unpicker and tape measure

Thread:

neutral colour for piecing

colour to match border fabric

gold and silver metallics for quilting

Background fabric: 10 inches (26 cm) for pieces A, B and D

Bright fabric scraps:

boat hulls, 4¼ x 1¼ inch (11.5 x 3.5 cm) rectangles of nine different fabrics. C.

sails, 5 inch (10 cm) squares of at least nine different fabrics. F.

water fabric: 12 x 4½ inches (30 x 12 cm) blue. E.

Border fabric, cats: 6 inches (16 cm)

Binding: 3 inches (8 cm)

Backing fabric: fat quarter

Batting: fat quarter



Cutting

Background fabric

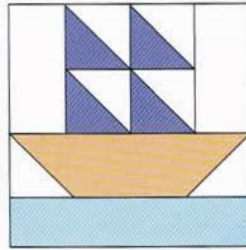
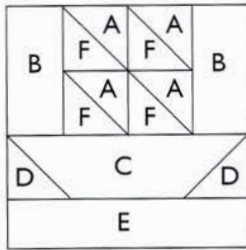
Cut one strip $1\frac{3}{4}$ inch (5.25 cm) wide and cut fifteen $1\frac{3}{4}$ inch (5.25 cm) squares. Cut diagonally once to yield thirty half-square triangles. A.

Cut one strip 2 inch (5.5 cm) wide and cut twelve 2 inch (5.5 cm) squares. Cut diagonally once. Keep these separate from the other triangles. D.

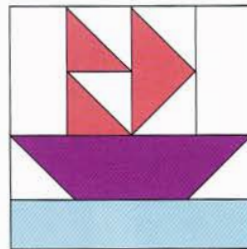
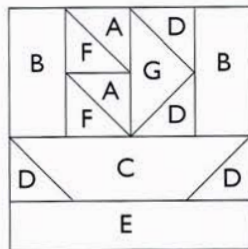
Cut one strip $1\frac{1}{4}$ inch (3.5 cm) wide and cut eighteen $1\frac{1}{4}$ x 2 inch (3.5 x 5.5 cm) rectangles. B.

Put the rest aside for the sashing strips and inner borders.

Block A



Block B

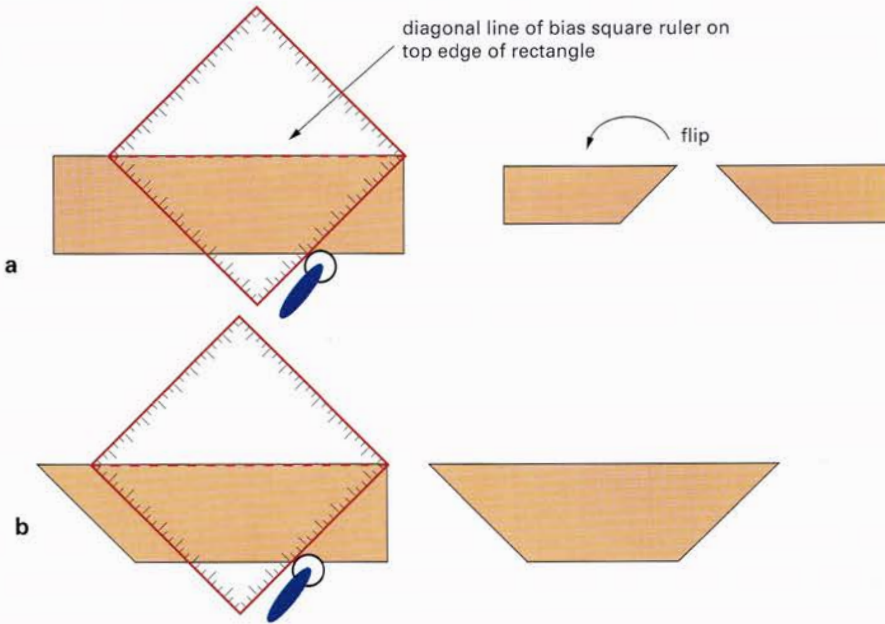


Water fabric

Cut three $1\frac{1}{4}$ inch (3.5 cm) strips and cut nine $3\frac{1}{2}$ x $1\frac{1}{4}$ inch (9.5 x 3.5 cm) rectangles. E.

Boat hull fabric

Use the nine pre-cut rectangles. The ends of these are trimmed away. Place a rectangle, right side facing up, on the cutting mat. Position the bias square ruler with the diagonal marked line running along the top edge of the fabric and the point of the ruler at the top right-hand corner (diagram 1a). Cut away the corner. Turn the strip over and trim away the other corner in the same manner (diagram 1b). Do this to all nine rectangles.

Diagram 1 Cutting the boat hulls*Sail fabric*

I suggest that you select the desired sail fabric for one block at a time. Construct the block, then go on to the next one.

Boat A For one boat cut two $1\frac{3}{4}$ inch (5.25 cm) squares. Cut these diagonally once to yield four half-square triangles. F.

Boat B For one boat cut one $1\frac{3}{4}$ inch (5.25 cm) square. Cut diagonally once to yield two half-square triangles. F.

Cut one $2\frac{3}{4}$ inch (7.5 cm) square. Cut diagonally twice to yield four quarter-square triangles. G. You will only need one of these per block. Put the other three aside.

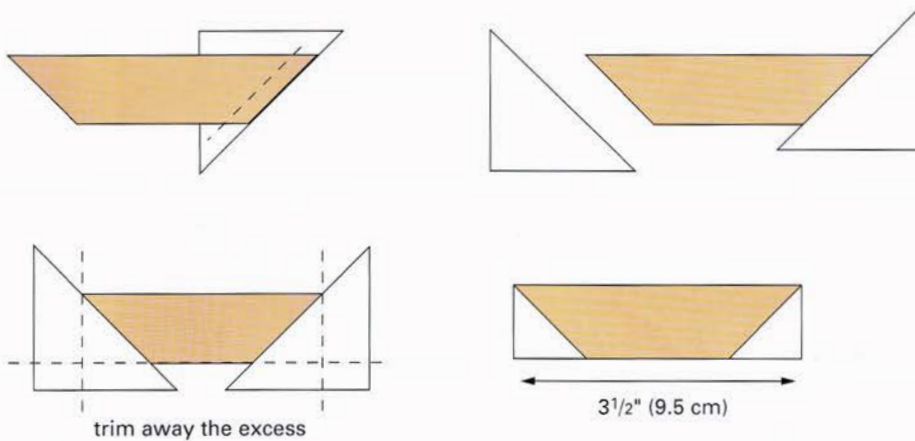
Construction

Please look at the quilt photo before you begin to put the blocks together, as I made some boats with their sails reversed. The instructions below for boats A and B have the sails going in the same direction, but you can change this to follow the photo if you wish.

Boat A

Sew a half-square triangle D to both ends of the boat fabric trimmed rectangle, following diagram 2. These triangles are too big. Centre the trimmed edges on the triangles. Sew, press towards the triangles. Use the rotary cutter and bias square ruler to trim the unit down to $3\frac{1}{2}$ x $1\frac{1}{4}$ inches (9.5 x 3.5 cm).

Diagram 2 Steps in sewing boat hull A and B



Join the four $1\frac{1}{4}$ inch (5.25 cm) sail fabric half-square triangles, F, to four of the background half-square triangles, A. Press seams open and trim down into $1\frac{1}{4}$ inch (3.5 cm) bias squares. (If you are working in metric measurements, trim all seam allowances down to 0.5 cm from now on.)

Lay out the pieces as shown in diagram 3 and join together. Press in the direction of the arrows.